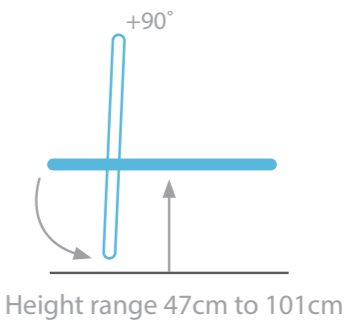


Width  
70cm



158cm

ST7650  
ST7651



## Paediatric Tilt Table



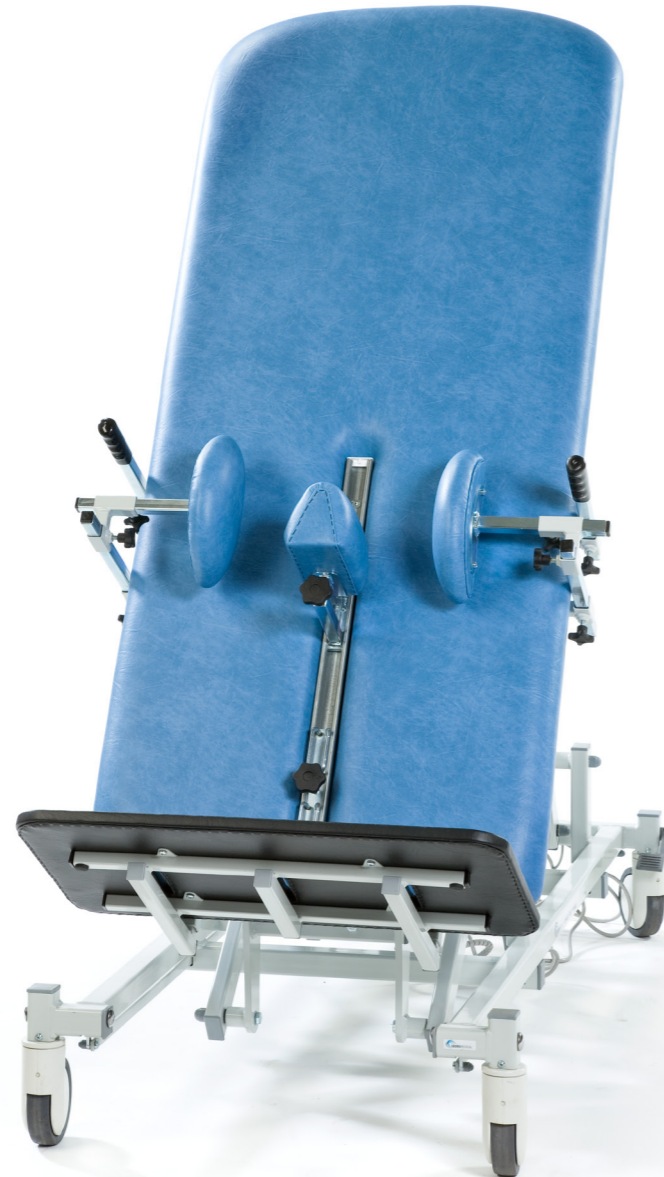
Specifically designed to cater for children of all ages through to young adults, these variable height tilt tables feature a divided leg design as standard and a wide footboard with fixation facility for securing the feet. The table is supplied with handgrips, a set of harnesses, pommel and pelvic supports for additional patient security. An adjustable angle work table is available as an option.

### Models

- ST7650** Paediatric Tilt Table with individually braking castors
- ST7651** Paediatric Tilt Table with central locking castors



Model ST7651 Colour sky blue



Model ST7651 Colour sky blue

### Standard Features

- Safe working load and lifting capacity of 200Kg (440lbs)
- Individually braking castors on ST7650
- Large wheel design, with central locking and steering facility on ST7651
- Electric height and tilting operation via hand switch control
- Height range of 47cm to 101cm
- Tilt angle from horizontal to 90°
- Dual leg fixation with adjustable height pommel for additional patient support
- Adjustable pelvic/lateral supports for stabilisation
- Wide footboard with feet fixation points, straps included
- Lowers to wheelchair height for ease of patient transfer
- Tilt angle inclinometer fitted as standard
- Purpose made precision bearings on all pivot points
- Clearance beneath frame for mobile hoist
- Supplied with patient handgrips and set of harnesses
- 60mm upholstery incorporating memory foam membrane for added comfort

### Optional Accessories

- 6057** Battery Back-Up Facility
- 6007** Head Support Cushion
- 6063** Dual Leg Harness Set
- 7648** Adjustable Angle Work Table



7648 Optional Adjustable Work Table



Model ST7651 in horizontal position