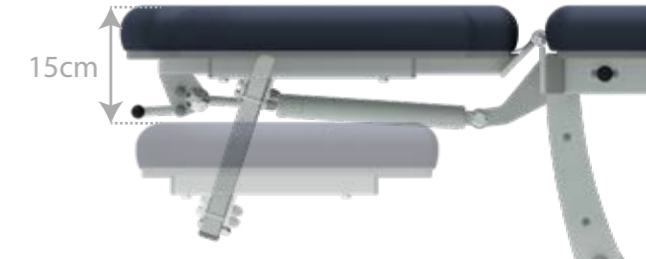
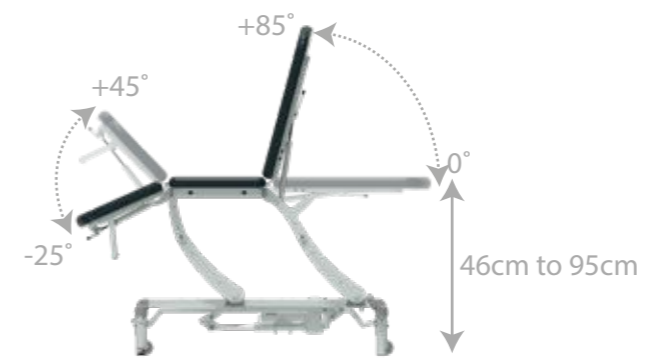


Width
70cm



CLINNOVA Therapy 3 Section – Plus



Designed with a short head section for head and neck mobilisation techniques, these versatile tables are suitable for a wide range of physiotherapy and rehabilitation procedures. The “Plus” model features adjustable height armrests which promote a relaxed shoulder girdle and a more comfortable patient during prone treatments. The couch has an excellent height range of 46cm to 95cm and is fitted with a breathing hole & plug as standard.

Models

See Page 2 for all available models

Standard Features

- Safe working load and lifting capacity of 265Kg (583lbs)
- Choice of hydraulic or electric height elevation
- Gas-assisted backrest adjustment from 0° to +85°
- Gas-assisted head section adjustment from -25° to +45°
- Head section features two individually adjustable armrests
- Electric models raise from low to high in only 15 seconds
- Excellent height range from 46cm to 95cm
- Linked retractable wheel design with adjustable foot
- Purpose made precision bearings on all pivot points
- Clearance beneath frame for mobile hoist
- Hand switch fitted as standard on electric models
- Frames pre-drilled for addition of accessories
- Anti-bacterial powder coated frame
- 70cm wide Easy Clean Upholstery as standard
- Choice of 15 standard upholstery colours

Optional Accessories

- 6200** Single Foot Switch
- 9003** Side Support Rails
- 6003P** Side Support Rail Cushions
- 9005** Paper Roll Holder
- 6007** Removable Head/Knee Support
- 9001** Electric Perimeter Foot Switch (EPFS)

Model NV3569-CLS Colour Dark Blue
Shown with optional paper roll holder



Low patient transfer height
Shown with optional paper roll holder



Offset gas strut for
unobstructed patient view

Model NV3569-PRM-EPFS
in a seated position.



Models Available



NV3559-CLS

Hydraulic Elevation

Classic Base (CLS)



NV3569-CLS

Electric Elevation

Hand or Foot Switch

Classic Base (CLS)



NV3569-CLS-EPFS

Electric Elevation

Perimeter Foot Switch

Classic Base (CLS)



NV3559-PRM

Hydraulic Elevation

Premium Base (PRM)



NV3569-PRM

Electric Elevation

Hand or Foot Switch

Premium Base (PRM)



NV3569-PRM-EPFS

Electric Elevation

Perimeter Foot Switch

Premium Base (PRM)