

## MIRRORS

## Fixed



**EP0350CS**  
Satin finish



**EP0450CS**  
Satin finish

### General description

- Fixed mirrors with a frame manufactured of stainless steel AISI 304, 1,0 mm thick.
- Mirror manufactured using a first quality glass 5 mm thick and it is backed with a medium density fiber shock-absorbing and waterproof board that reinforces the glass, making it stronger.
- Model suitable for public use.
- Maximum durability and rusting resistance.

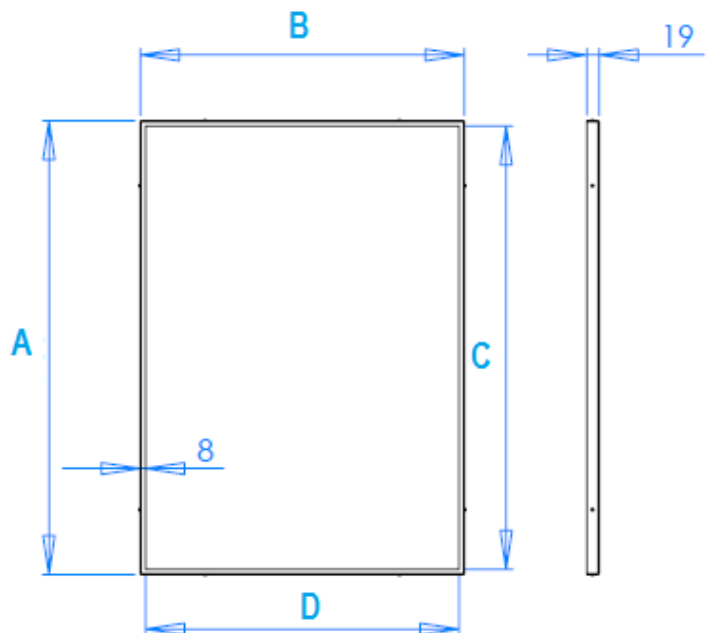
### Components & materials

- **EP0350CS:** 700 x 500 mm fixed mirror, with frame made of stainless steel AISI 304, 1,0 thick and satin finish.
- **EP0450CS:** 800 x 600 mm fixed mirror, with frame made of stainless steel AISI 304, 1,0 thick and satin finish.
- **FRAME:** made of stainless steel AISI 304, 1,0 thick. Unitized all welded construction. Edges and corners are burr free.
- **BACK PART:** medium density fiber shock-absorbing and waterproof board, 10 mm thick that reinforces the glass, making it stronger.
- **GLASS:** standard glazing is No 1 quality, 5mm thick.
- Stainless steel screws for brick walls are included with the mirrors.

### Technical specifications

<b>Dimensions</b>	700x500x19 mm (EP0350CS) 800x600x19 mm (EP0450CS)
<b>Frame thickness</b>	1 mm
<b>Glass thickness</b>	5 mm

### Dimensions



	EP0350CS	EP0450CS
A	700 mm	800 mm
B	500 mm	600 mm
C	684 mm	784 mm
D	484 mm	584 mm

Dimensions  $\pm 4\%$

---

## INSTALLATION

---

955 mm at lower point maximum

