

WASH BASIN

Wall mounted



SNLM36CS
Satin finish

General Description

- Wall mounted wash basin with round stamped bowl, made of stainless steel AISI 304, 1 mm thick, satin finish.
- The stainless steel construction protects the product against rust and ensures quality and longevity.
- Robust and vandal-proof. The inside part of the unit is reinforced with an expanded polyurethane injection which gives greater rigidity and avoids denting due to external impacts.
- Engineered to combine an attractive look and a great robustness with a high versatility.
- A contoured exterior and interior to facilitate cleaning.
- Model suitable for public use with high strength and durability.
- The hidden service door, made of stainless steel and located at the bottom of the wash basin, allows to access to the $\varnothing 40$ mm outlet.
- Screws for wall mounting, tap and flexible hoses are not supplied.

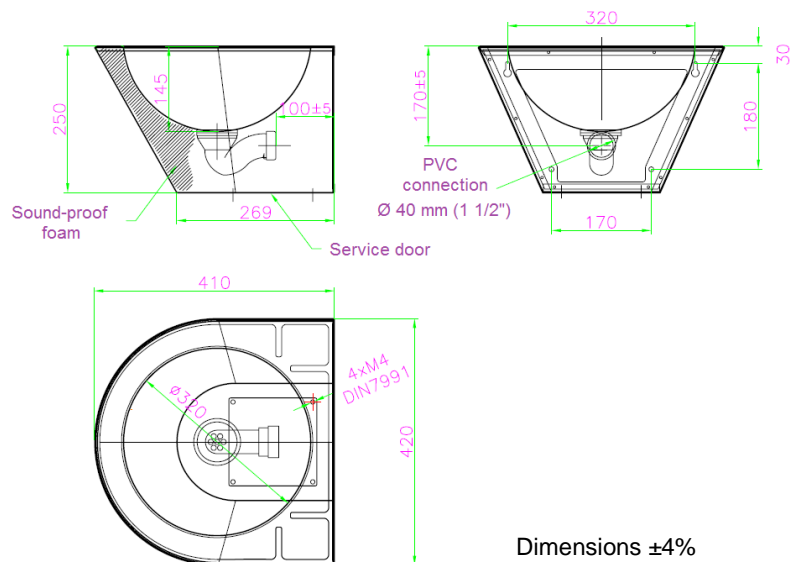
Materials & components

- **BODY:** made of stainless steel AISI 304, 1 mm thick. Internally it is reinforced with an expanded polyurethane injection which gives greater rigidity and avoids denting due to external impacts.
- **TRAY:** made of stainless steel AISI 304, 1 mm thick, with a pair of stamped soap dishes on both rear corners of the tray. The bowl is stamped in the same tray and its dimensions are: $\varnothing 320$ mm / 155 mm deep.
- **SERVICE DOOR:** located at the bottom of the wash basin is made of stainless steel AISI 304, 1 mm thick.

Technical specifications

Body, tray, bowl and service door thickness	1 mm
Outlet	$\varnothing 40$ mm
Bowl diameter	$\varnothing 320$ mm
Bowl depth	155 mm
Weight (empty)	8 Kg

Dimensions



MOUNTING

Fixed to the wall with 4 plugs and 4 screws (not supplied) and according to the following figure:

