

WASH BASIN
Wall mounted

SNLM35C – Bright finish
SNLM35CS - Satin finish
General Description

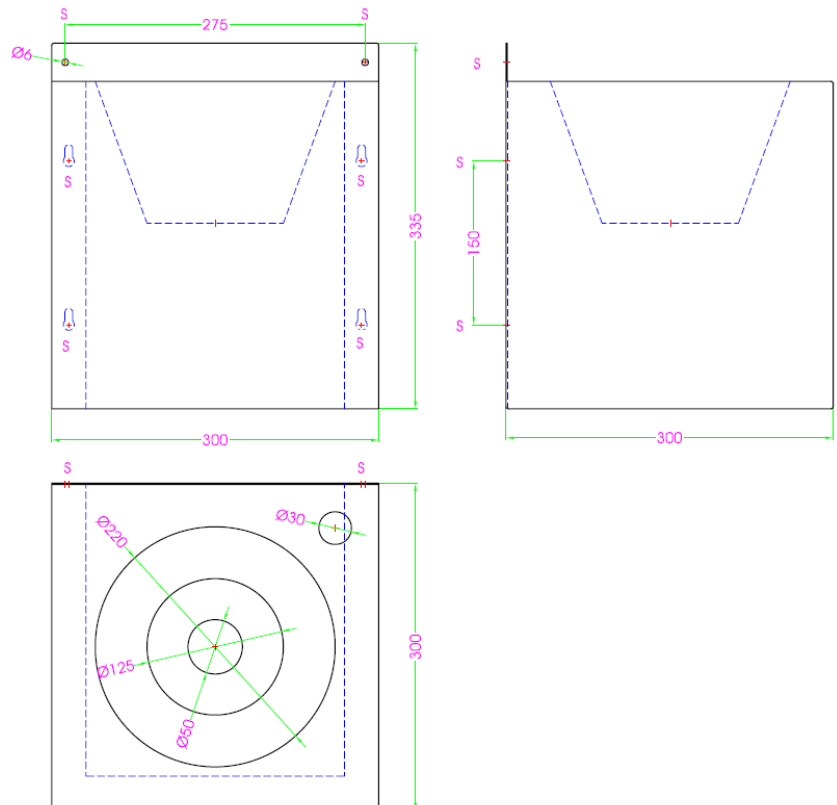
- Wall mounted wash basin with round stamped bowl, made of stainless steel AISI 304, 1.2 mm thick, bright (optional) or satin finish.
- The stainless steel construction protects the product against rust and ensures quality and longevity.
- Robust and vandal-proof.
- Engineered to combine an attractive look and a great robustness with a high versatility.
- Model suitable for public use with high strength and durability.
- The unit has one hole $\varnothing 30$ mm that allows to install a tap.
- Screws for wall mounting, tap, flexible hoses and drainage parts are not supplied.

Materials & components

- **SNLM35C:** Wall mounted wash basin with round stamped bowl, made of stainless steel AISI 304, 1.2 mm thick, bright finish (optional).
- **SNLM35CS:** Wall mounted wash basin with round stamped bowl, made of stainless steel AISI 304, 1.2 mm thick, satin finish.
- **BODY:** concealing the drainage system, made of stainless steel AISI 304, 1.2 mm thick.
- **BOWL:** stamped in a tray made of stainless steel AISI 304, 1.2 mm thick, $\varnothing 220$ mm and soldered to the body.
- **BACK PLATE:** soldered to the body and to the bowl tray is made of stainless steel AISI 304, 1.2 mm thick. It has four oblong holes and two holes $\varnothing 6$ mm for wall-mounting.

Technical specifications

Body and bowl thickness	1.2 mm
Outlet	$\varnothing 50$ mm
Bowl outer diameter	$\varnothing 220$ mm
Bowl inner diameter	$\varnothing 125$ mm
Weight (empty)	5 Kg

Dimensions

 Dimensions $\pm 4\%$
MOUNTING

Fix the wash basin on the wall using stainless steel screws (not supplied) through the corresponding holes (points indicated by an "S" in the upper figure).