



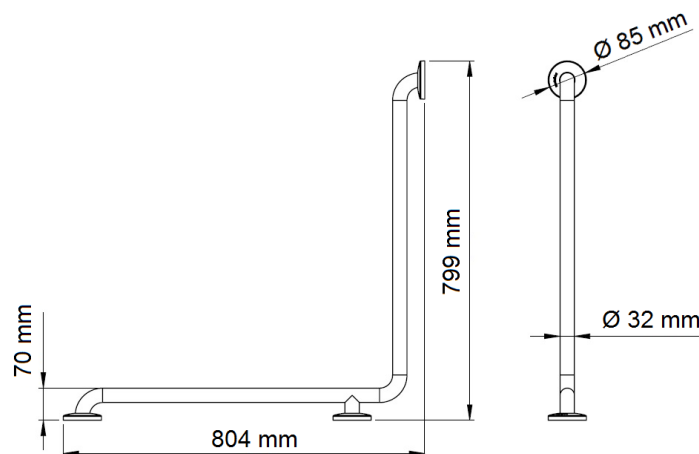
General description

- Two sided horizontal grab bar with “L” shaped design, intended for installation in 90° corners and manufactured in white painted steel tube.
- The unit features an asymmetrical design with three concealed mounting flanges and with screw holes for concealed anchors.
- Three snap flange covers, made of Polypropylene, hide the anchoring screws to the wall and reinforce, even more, the beauty of the product once installed.
- This grab bar has been designed to achieve barrier-free accessibility in bathrooms and public spaces. Suitable for specific spaces for the elderly or people with reduced mobility.
- This bar can be electrically isolated by installing the Electrical Isolation Kit code KA0010 (this isolation kit is an option).
- Supplied with all the necessary hardware to fix the bar to a brick wall.

Components and materials

- **TUBING:** made of 32 mm diameter steel tube, seamless construction. The bending process guarantees the uniformity of the diameter along the bends.
- **CONCEALED MOUNTING FLANGE:** three units made of steel, 3 mm thick. Incorporates three Ø 6.5 mm screws holes for wall mounting.
- **SNAP FLANGE COVER:** three units made of Polypropylene, 1.5 mm thick and Ø 85 mm. Each cover snaps over mounting flange to conceal mounting screws.

Dimensions

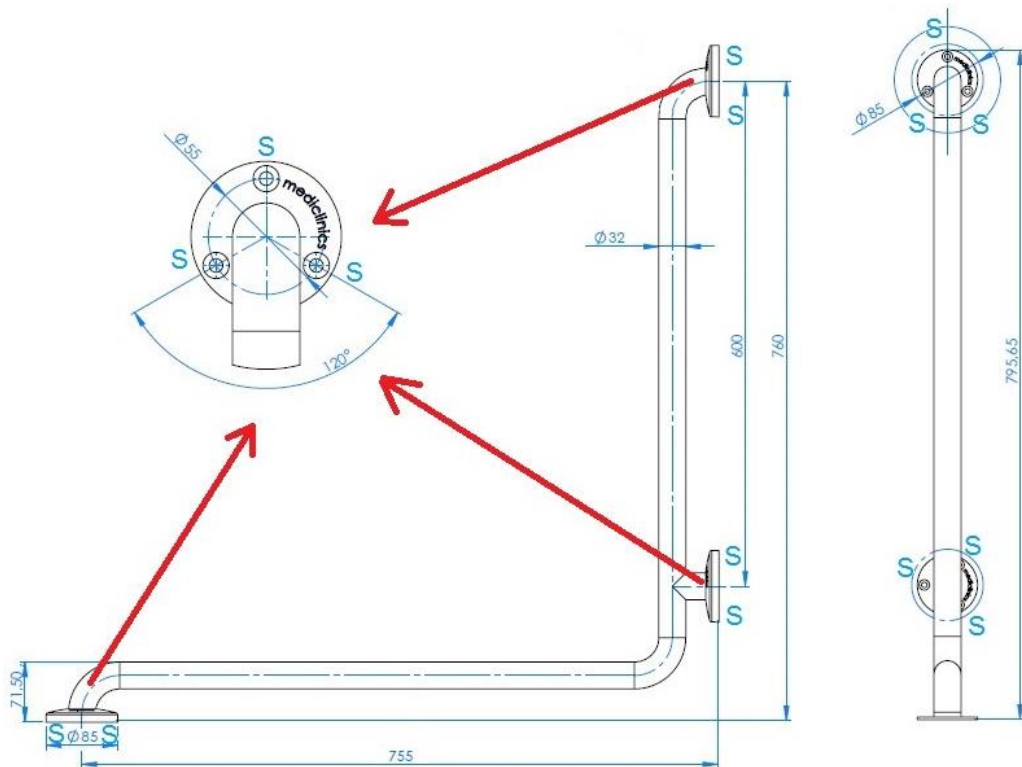


Technical specifications

| | |
|------------------------------------|-------------------|
| Dimensions | 804 x 85 x 799 mm |
| Bar diameter | Ø 32mm |
| Wall flange thickness | 3 mm |
| Snap flange cover diameter | Ø 85 mm |
| Snap flange cover thickness | 1.5 mm |

MOUNTING TEMPLATE

Fix the grab bar to the wall through the 3 holes of the wall flange, using the provided screws and taking into account the distances of the points indicated by an "S" in the following figure:



It is recommended to install the grab bar between 700 and 750 mm high from floor.

It is not recommended to install the Mediepoxy line bars in places where the bars will be in direct contact with water, in damp and/or chlorinated environments.

Mediclinics is not responsible for corrosion that may appear on the bars caused by abrasion on the anchorage points because of an improper installation.

Mediclinics, S.A., se reserva el derecho a efectuar cambios y/o modificaciones en los productos y sus especificaciones sin previo aviso
Revisión 01-19 © mediclinics S.A.

