

# Impuls technical specification



**.mdd**

**MDD has a leading position among manufacturers of office furniture with many awards that prove quality and continuously increase demand for its products.**

The realities of today's market require constant quality improvement at all levels of modern organization. This applies in particular to customer service, marketing, quality of products and also to quality of processes within the company.

Partnership relations among employees and with business partners form a base of economic growth and success of the company.

Constant investments in innovative machinery park, optimization of management systems and an expansion of production halls allow to minimize the lead times for the product of the highest quality.

**More than twenty years of experience in office furniture industry come with reference from a long list of companies and institutions to show their appreciation for an efficient and comprehensive service.**

**MDD is highly aware of the environment.**

Being located in the forest region with lake by its side, MDD takes the nature seriously and invests constantly in a modern and energy-efficient solutions to preserve the local life. Company puts emphasis on waste segregation and recycling. MDD has been awarded for the exceptional care and involvement in waste disposal. All materials used are environmentally friendly and enjoy a high 95 % rate of being recycled.



## General informations:

### Warranty:

MDD products – **5 years**.

Electrical components and fabric – **2 years**.

### Certificate - MFC:



### Compliant with standards:

PN-EN 527-2:2017-02

PN-EN 14073-2:2006

### Boards density:

12 mm – 690 – 750 kg/m<sup>3</sup>

18 mm – 650 – 690 kg/m<sup>3</sup>

28 mm – 610 – 630 kg/m<sup>3</sup>

36 mm – 610 – 630 kg/m<sup>3</sup>

### Assembly:

product delivered in separate elements

### Packing:

#### desk – glass top:

wooden crate;

#### desk – frame:

cardboard;

#### cabinet, modesty screens, modular table,

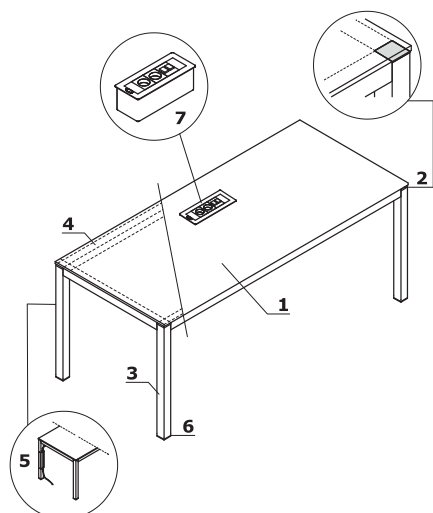
#### pedestal, glass door storages:

cardboard;

#### storages:

cardboard, bubble wrap or stretch foil;

## Desks



### 1. Top - choose from:

- MFC 12 mm, ABS edge
- tempered glass, satin, matt 10 mm, colour: white (ultra clear), black, painted underneath

### 2. Chrome decorative element

3. **Frame** - aluminum, powder coated steel with chrome details 50x50 mm

4. **Profile** - powder coated steel - clour: 08 black

5. **Vertical cable organizer** - plexiglas, standard (1piece per desk IM10);

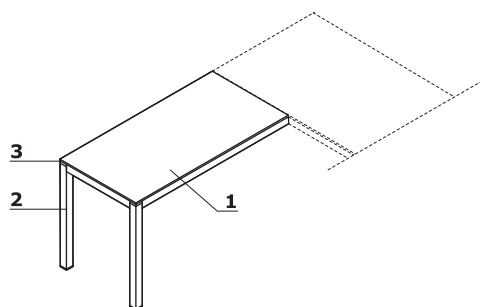
6. **Leveling** - 5 mm range

7. **OPTION WITH EXTRA CHARGE** - only for desks with MFC top:

- Mediaport S91E - 2x 230V, 2x RJ45

ATTENTION - mediaport can be placed only at marked location

## Extension



### 1. Top - choose from:

- MFC 12 mm, ABS edge
- tempered glass, satin, matt 10 mm, colour: white (ultra clear), black, painted underneath

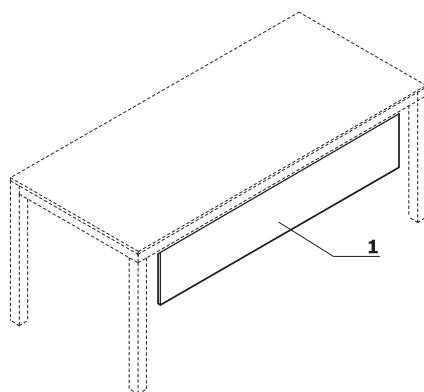
2. **Frame** - aluminum, powder coated steel with chrome details 50x50 mm

3. **Chrome decorative element**

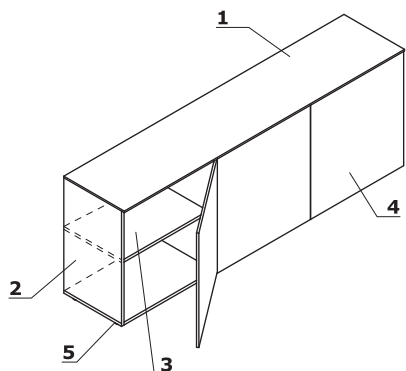
ATTENTION - universal ( left, right);

## MFC modesty screens

1. **Modesty panel** - MFC 18 mm, ABS edge

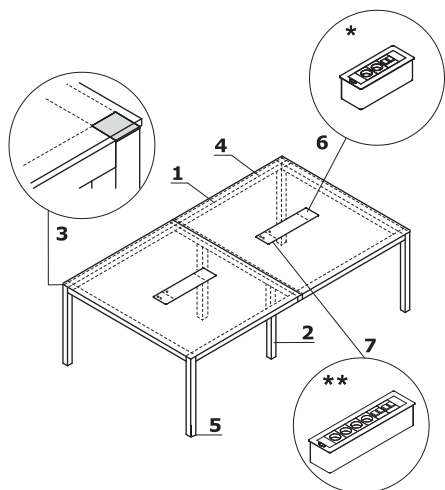


## Cabinet



1. **Top panel - choose from:**
  - MFC 12 mm, ABS edge
  - tempered glass, satin 10 mm, painted underneath
2. **Side panels - MFC 18 mm, ABS edge**
3. **Shelf - MFC 18 mm, protection against accidental falling-out, ABS edge**
4. **Front - push-to-open - choose from:**
  - MFC 18 mm, ABS edge
  - tempered glass, satin 4 mm, painted underneath
5. **Leveling feet - range 5 mm**

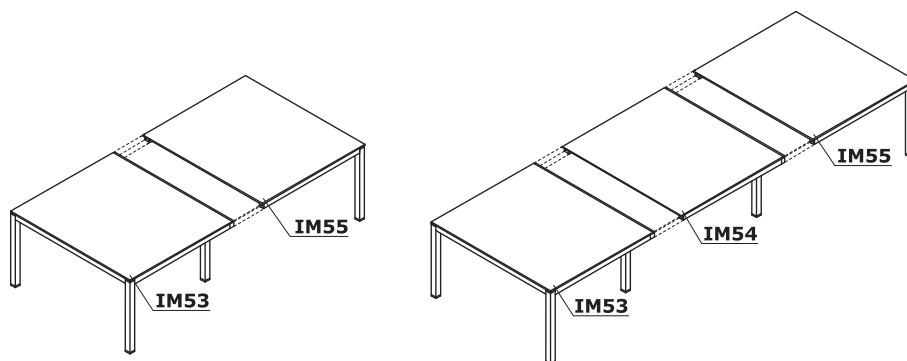
## Modular table



1. **Worktop - MFC 12 mm, ABS edge**
2. **Frame - aluminum, powder coated steel with chrome details 50x50 mm**
3. **Chrome decorative element**
4. **Profile - powder coated steel - clour: 08 black**
5. **Leveling - 5 mm range**
6. **Mediaport S91E - OPTION WITH EXTRA CHARGE - 2x 230V, 2x RJ45**
7. **Mediaport S92E - OPTION WITH EXTRA CHARGE - 4x 230V, 4x RJ45**

ATTENTION - mediaport can be placed only at marked location

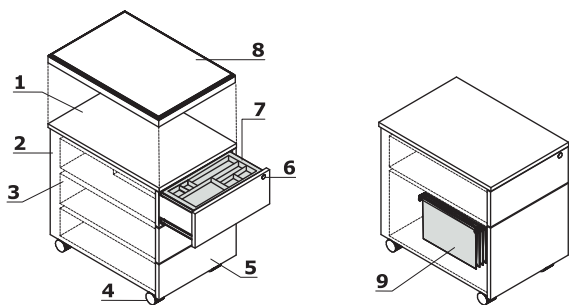
## Configuration examples



Im53 - Beginning element | IM54 - middle element | IM55 - ending element

Impuls	Date of preparation 20.01.2020	The data contained in this document is valid in the day of its preparation. Change of the product, as long as it does not affect the basic features of it, does not require consistent updates of the document.	page 4/15 technical description
--------	-----------------------------------	---	------------------------------------

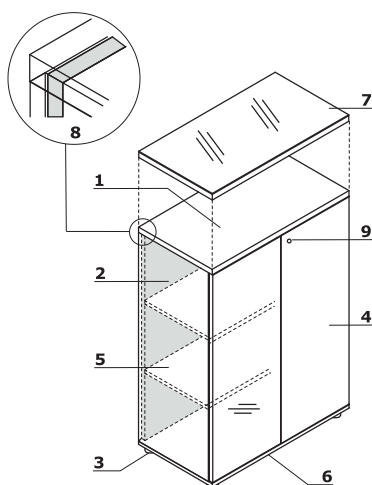
## Mobile pedestal without handles



1. **Top** - MFC 18 mm, coated with HPL high gloss
2. **Body** - MFC 18 mm, ABS edge
3. **Metal drawer** - roll runners, max load 25 kg, 80% extraction, anti-tilt mechanism; OPTION WITH EXTRA CHARGE - ball runners, soft-closing system
4. **Castors** - Ø50 mm, two with brakes
5. **Front** - MFC 18 mm, coated with HPL high gloss, ABS edge
6. **Central lock** - foldable key
7. **Pencil tray** - plastic, colour: black
8. **Optional cushion SKP13** - for pedestal, max load 120 kg, ordered separately
9. **Suspension files drawer** - ball runners, max load 30 kg, 100% extraction, A4 folders must be inserted parallelly to the front

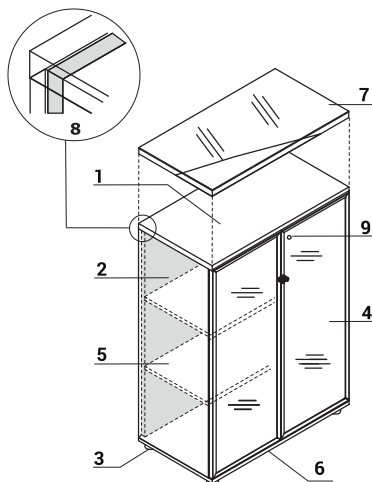
ATTENTION - it's possible to sit on pedestals only when cushion with castors support are fixed (SKP13)

## Storages with HPL front



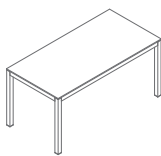
1. **Top** - MFC 28 mm, ABS edge
2. **Side panels** - MFC 18 mm, ABS edge
3. **Leveling feet 27 mm** - range 12 mm
4. **Front** - Push-to-Open, coated with HPL high gloss
5. **Shelf** - MFC 18 mm, protection against accidental falling-out, ABS edge
6. **Base** - MFC 18 mm, ABS edge
7. **Optional top A800GT** - MFC 28 mm + LACOBEL glass 4 mm, ordered separately
8. **Back MFC** - 18 mm, ABS edges
9. **Patent lock**

## Glass door storages

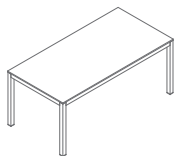


1. **Top** - MFC 28 mm, ABS edge
2. **Side panels** - MFC 18 mm, ABS edge
3. **Leveling feet 27 mm** - range 12 mm
4. **Front** - transparent tempered glass in aluminum frame
5. **Shelf** - MFC 18 mm, protection against accidental falling-out, ABS edge
6. **Base** - MFC 18 mm, ABS edge
7. **Optional top A800GT** - MFC 28 mm + LACOBEL glass 4 mm, ordered separately
8. **Back MFC** - 18 mm, ABS edges
9. **Aluminum handle**

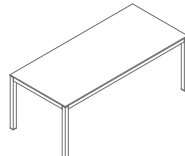
MFC top desks \*



**IM04**  
1600 / 800 / 760  
21.5 kg

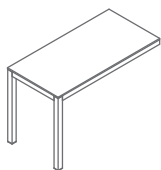


**IM05**  
1800 / 900 / 760  
26 kg

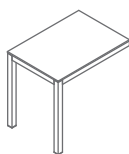


**IM06**  
2000 / 900 / 760  
30.6 kg

MFC desk extensions \*

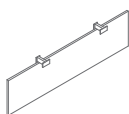


**IM07**  
1200 / 600 / 760  
15 kg

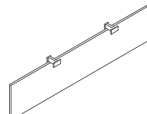


**IM08**  
800 / 600 / 760  
9.5 kg

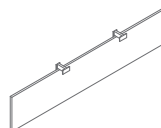
MFC modesty screens \*



**IM04B**  
1400 / 18 / 350  
7.3 kg

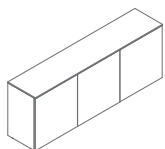


**IM05B**  
1600 / 18 / 350  
8.3 kg

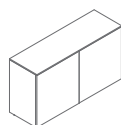


**IM06B**  
1800 / 18 / 350  
9.3 kg

Cabinet \*



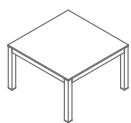
**IM21**  
1334 / 432 / 740  
59 kg



**IM20**  
2000 / 432 / 740  
105 kg

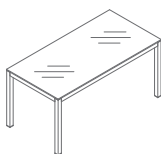
\* dimensions expressed in millimeters: width x depth x height

MFC top tables \*

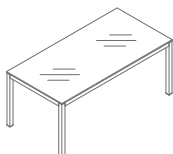


**IM57**  
800 / 800 / 500  
13kg

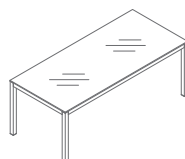
Glass top desks \*



**IM04S**  
1600 / 800 / 760  
71,5 kg

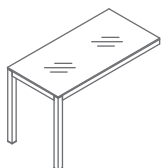


**IM05S**  
1800 / 900 / 760  
87 kg



**IM06S**  
2000 / 900 / 760  
108,5 kg

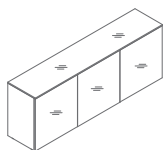
Glass top desk extension \*



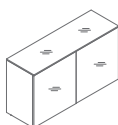
**IM07S**  
1200 / 600 / 760  
44 kg

www.mdd.eu

Cabinet with glass \*



**IM21S**  
1334 / 432 / 740  
59 kg

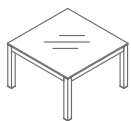


**IM20S**  
2000 / 432 / 740  
105 kg

\* dimensions expressed in millimeters: width x depth x height

<b>Impuls</b>	Date of preparation 20.01.2020	The data contained in this document is valid in the day of its preparation. Change of the product, as long as it does not affect the basic features of it, does not require consistent updates of the document.	page 7/15
			<b>products</b>

**Glass top tables \***



**IM57S**  
800 / 800 / 500  
39 kg

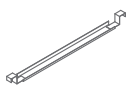
**Vertical hitch, clear plexiglass \***



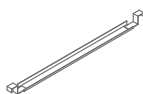
**IM10**  
77 / 58 / 350  
0.5 kg

**Cable tray \***

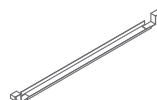
www.mdd.eu



**EK1200**  
1496 / 85 / 94  
3.4 kg



**EK1400**  
1696 / 85 / 94  
3.9 kg

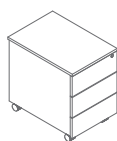


**EK1600**  
1896 / 85 / 94  
4.2 kg

**Mobile pedestals without handles with HPL top and front \***



**SLD12HT**  
416 / 600 / 587  
23 kg



**SLD13HT**  
416 / 600 / 587  
23 kg

\* dimensions expressed in millimeters: width x depth x height

<b>Impuls</b>	Date of preparation 20.01.2020	The data contained in this document is valid in the day of its preparation. Change of the product, as long as it does not affect the basic features of it, does not require consistent updates of the document.	page 8/15
			<b>products</b>

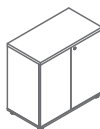


**Pedestal cushion \***

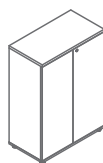


**SKP13**  
400 / 600 / 52  
3 kg

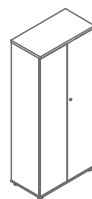
**Storages with HPL front \***



**A2104HZ**  
801 / 432 / 777  
35 kg



**A3104HZ**  
801 / 432 / 1129  
44 kg



**A5104HZ**  
801 / 432 / 1833  
80.7 kg



**A3404HZ**  
801 / 432 / 1129  
40 kg



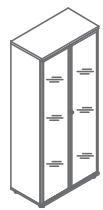
**A5404HZ**  
801 / 432 / 1833  
65 kg

www.mdd.eu

**Glass door storages \***



**A3104W**  
801 / 432 / 1129  
47 kg



**A5104W**  
801 / 432 / 1833  
74.7 kg



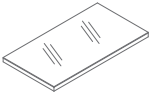
**A5404WZ**  
801 / 432 / 1833  
75 kg

\* dimensions expressed in millimeters: width x depth x height

<b>Impuls</b>	Date of preparation 20.01.2020	The data contained in this document is valid in the day of its preparation. Change of the product, as long as it does not affect the basic features of it, does not require consistent updates of the document.	page 9/15
			<b>products</b>

---

**Glass top \***



**A800GT**  
800 / 432 / 33  
8 kg

---

\* dimensions expressed in millimeters: width x depth x height

<b>Impuls</b>	Date of preparation 20.01.2020	The data contained in this document is valid in the day of its preparation. Change of the product, as long as it does not affect the basic features of it, does not require consistent updates of the document.	page 10/15
			<b>products</b>

Desks and modular table

Top



Frame



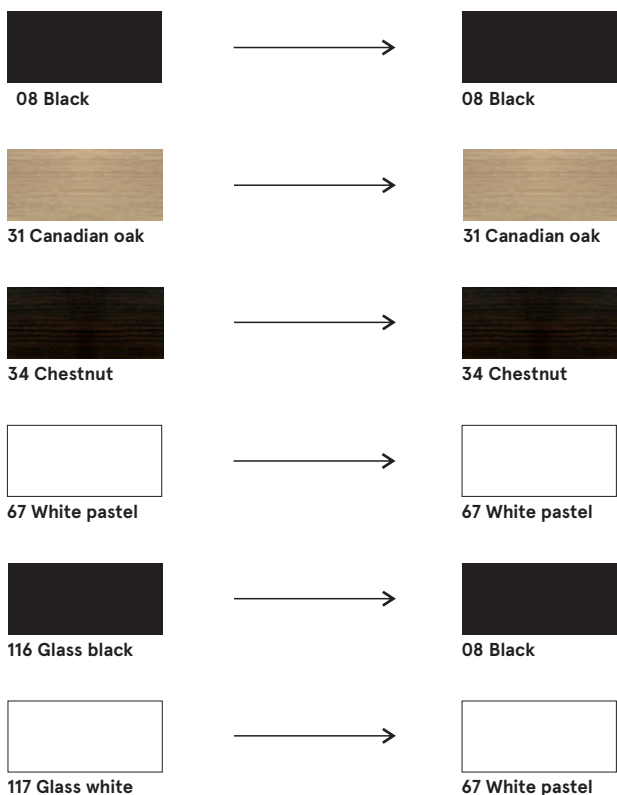
Modesty panel



Cabinet

Top, front

Body



## Storages

### Top, base, body



08 Black



67 White pastel

### Front



74 Orange high gloss



80 Green high gloss



81 Burgundy high gloss



102 Yellow high gloss



108 Blue high gloss



127 Dark pink high gloss



148 Grey high gloss



101 Black high gloss



155 Anthracite high gloss



73 White high gloss

## Mobile pedestal without handles

### Top, front



101 Black high gloss



73 White high gloss

### Body



08 Black



67 White pastel

## Copplementary elements

### A800GT



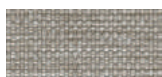
Glass black



Glass white

SKP13

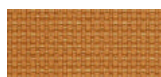
Fabric Nemo



NE-1 Beige



NE-2 Yellow



NE-3 Orange



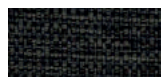
NE-5 Red



NE-9 Green



NE-10 Grey



NE-14 Graphite



NE-15 Navy blue



NE-16 Black



NE-17 Blue

Technical data:

**Material** polyester 100%  
**Fabric weight** 366g/m2  
**Abrasion resistance rubs** PN-EN ISO 12947 - 2:2 100,000  
**Pilling resistance** scale 1-8, max. 8, PN-EN ISO 105 - B02 (3-4)  
**Colour fastness to rubbing** scale 1-5, max. 5, PN-EN 1021 - 2, PN-EN 1021 - 1  
**Colour fastness to rubbing** skscale 1-5, max. 5, EN ISO 105x12 (wet/dry) 4-5

Fabric Runner - second price group



R-63034 Orange



R-64089 Red



R-66063 Blue



R-60011 Grey



R-68056 Green



R-66064 Navy Blue



R-60999 Black



R-60025 Graphite



R-61128 Beige

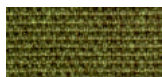


R-61130 Brown

Technical data:

**Material** polyester 100%  
**Fabric weight** 510 g/lm (16.45 oz/lin.yd.)  
**Abrasion resistance rubs** BS EN ISO 12947-2 70,000 Martindale cycles  
**Pilling resistance** scale 1-5, max 5, EN ISO 12945-2 (4-5)  
**Colour fastness to light** scale 1-8, max 8, EN ISO 105-B02 (5-7)  
**Colour fastness to rubbing** scale 1-5, max 5, EN ISO 105x12 (wet/dry) 4-5  
**Acoustic test sound absorption** ISO 354  
**Flammability** BS EN 1021-2 Match, CA TB 117-2013, BS EN 1021-1 (cigarette) Class Uno UNI 9175 Class 2, EMME

Fabric Medley - second group



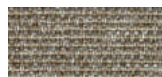
M-68005 Dark olive



M-68002 Light olive



M-68115 Green



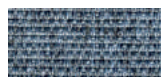
M-61002 Beige



M-67053 Navy blue



M-67006 Light blue



M-66008 Grey



M-64019 Red



M-63064 Pink



M-60999 Black

Technical data:

**Material** polyester 100%  
**Fabric weight** 510 g/lm (16.45 oz/lin.yd.)  
**Abrasion resistance rubs** BS EN ISO 12947-2, 75,000 cykli Martindale  
**Pilling resistance** scale 1-5, max. 5, EN ISO 12945-2 (4)  
**Colour fastness to light** scale 1-8, max. 8, EN ISO 105-B02 (5-7)  
**Colour fastness to rubbing** scale 1-5, max. 5, EN ISO 105x12 (wet/dry) (4-5/4-5)  
**Acoustic test sound absorption** ISO 354  
**Flammability** BS EN 1021-1 (cigarette) BS 476 Part 7, Class 2 Class Uno UNI 9174 - UNI 8457 CA TB 117-2013 ASTM E 84 Class I

### Fabric Atlantic \* - second price group



**Technical data:**

**Material** polyester 100%

**Fabric weight** 530 g/lm (17.09 oz/lin.yd.)

**Abrasion resistance rubs** BS EN ISO 12947-2, 110,000 Martindale cycles

**Pilling resistance** scale 1-5, max. 5, EN ISO 12945-2 (4-5)

**Colour fastness to light** scale 1-8, max. 8, EN ISO 105-B02 (5-7)

**Colour fastness to rubbing** scale 1-5, max. 5, EN ISO 105x12 (wet/dry (4-5/4-5))

**Flammability** CA TB 117-2013  
ASTM E 84 Class I  
BS EN 1021-2 (zapalka)  
BS EN 1021-1 (papieros)

### Fabric River - second group



**Technical data:**

**Material** polyester 100%

**Fabric weight** 300g/m2 (+/- 5%)

**Abrasion resistance rubs** 100,000 Martindale cycles (EN ISO 12947-1,2)

**Pilling resistance** EN ISO 12945-2 (5)

**Colour fastness to light** 4 (EN ISO 105-B02)

**Colour fastness to rubbing** dry: 4-5, wet: 3 (EN ISO 105-x12)

**Flammability** BS 5852: Part 1, Ignition Source 0 (cigarette)  
BS 5852: Part 1, Ignition Source 1 (match)  
EN1021 - 2

### Fabric Xtreme - third price group



**Technical data:**

**Material** 100% Trevira Clame (CS)  
100% Recykling (YS)  
Flame Retardant polyester.  
Non metallic dyestuffs.

**Fabric weight** 310 g/m2 ±5% (435g/lin.m ±5%)

**Abrasion resistance rubs** 60,000 Martindale cycles (CS)  
100,000 Martindale cycles (YS)

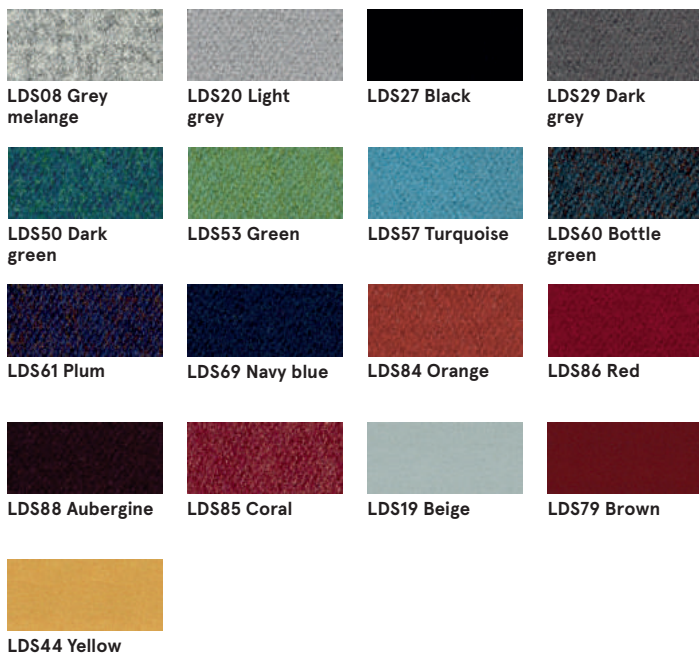
**Colour fastness to light** 6 (ISO 105 - B02)

**Colour fastness to rubbing** wet: 4, dry: 4 (ISO 105 - X12)

**Flammability** EN 1021 - 1 (cigarette),  
EN 1021 - 2 (match)  
BS 7176 Low Hazard,  
NF P92-507 M1, DIN 4102 B1,  
UNI 9175 Class 1 IM, UNI 8456,  
UNI 9174 & UNI 9177 Classe Uno,  
ÖNORM B 3825 & A 3800-1  
NF D 60-013

\* There is a possibility of ordering the product in full colour spectrum of Atlantic range, as per Gabriel's pattern book, within 8 weeks

### Fabric Synergy - third price group



**Technical data:**

**Material** 95% Virgin Wool , 5% Poliamid

**Fabric weight** 400g/m2 ±5% (560 g/lin.m ±5%)

**Abrasion resistance rubs** Independently certified  
≥100,000 Martindale cycles

**Colour fastness to light** 5 (ISO 105 - B02)

**Colour fastness to rubbing** ISO 105 - X12 - wet: 4, dry: 4

**Flammability** EN 1021 - 1 (cigarette),  
EN 1021 - 2 (match),  
BS 7176 Low Hazard,  
UNI 9175 Classe 1 IM,  
ÖNORM B 3825 & A 3800-1

### Fabric Atlas - fourth price group



**Technical data:**

**Material** 90% new wool, 10% nylon

**Fabric weight** 286g/m2, 400g/lm

**Abrasion resistance rubs** 100,000 cykli Martindale, EN ISO 12947

**Colour fastness to light** ISO 105 B02: 6-7

**Colour fastness to rubbing** ISO 105-X12:2001, (wet/dry) 4-5/4-5

**Flammability** BS EN 1021-2 Match, BS EN 1021-1 Cigarette,  
BS 5 5852 Crib 5, BS 5852 ignition source 3,  
BS 5852 Part 1, NF D 60 013, UNI 9175 1IM,  
US Cal. Bull. 117-2013

### Fabric Field2 - fourth price group



**Technical data:**

**Material** 100% Trevira CS

**Fabric weight** 321g/m2, 450g/lm

**Abrasion resistance rubs** 100,000 cykli Martindale, EN ISO 12947

**Colour fastness to light** ISO 105 B02: 5-7

**Flammability** BS EN 1021-2 Match, BS EN 1021-1 Cigarette,  
BS 5 5852 Crib 5, DIN 4102 B1 FAR 25.853,  
UNI 9177 classe 1, US Cal. Bull. 117-2013