

MAIN FEATURES


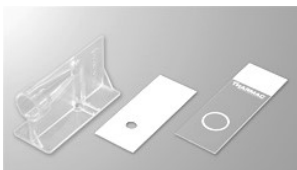

- > Adjusted for use in cytology, urology, microbiology, virology, oncology
- > Wide range of consumables for different applications
- > Centrifugation of up to 12 samples
- > Robust design
- > Microprocessor controlled functions of cover, time and speed
- > Adjustable acceleration and braking system
- > Special START - STOP features
- > FAST SPIN function
- > Possibility of programming



CYTO CENTRIFUGE	CENTRIC 250 Code 472.000	CENTRIC 350 Code 473.000
No. of places in rotor	8	12
Max. speed (RPM)	2.500	2.500
Brushless motor	YES	YES
Noise level (dBA)	48	49



ACCESSORIES FOR CytoCENTRIC CENTRIFUGES

ROTOCLIPS STAINLESS STEEL JC 390	ROTOFUNELL CHAMBERS JC 406	FILTER CARDS JC 407	SLIDES JC 311	ECOfunnel® Reusable JC 313	ECOseal JC 315	ECOslides JC 314
ID 312491	ID 312488	ID 309097	ID 303369	ID 334724	ID 334729	ID 334733
4 pcs in a pack	12 pcs in a pack	200 pcs in a pack	100 pcs in a pack	4 pcs in a pack	100 pcs in a pack	100 pcs in a pack
	 For sample volumes of up to 0.5ml Sedimentation field with a diameter of 6mm			 For preparing large-volume samples of up to 6ml Sedimentation field of 22x15mm for a higher cell yield Only for rotor with 12 places		

We reserve the right to alter specification details etc. without prior notice or liability!

V:11-19